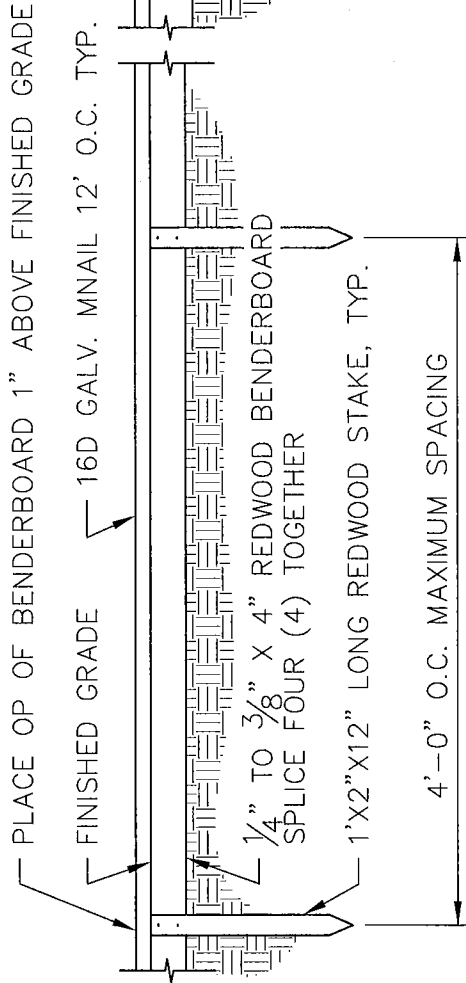
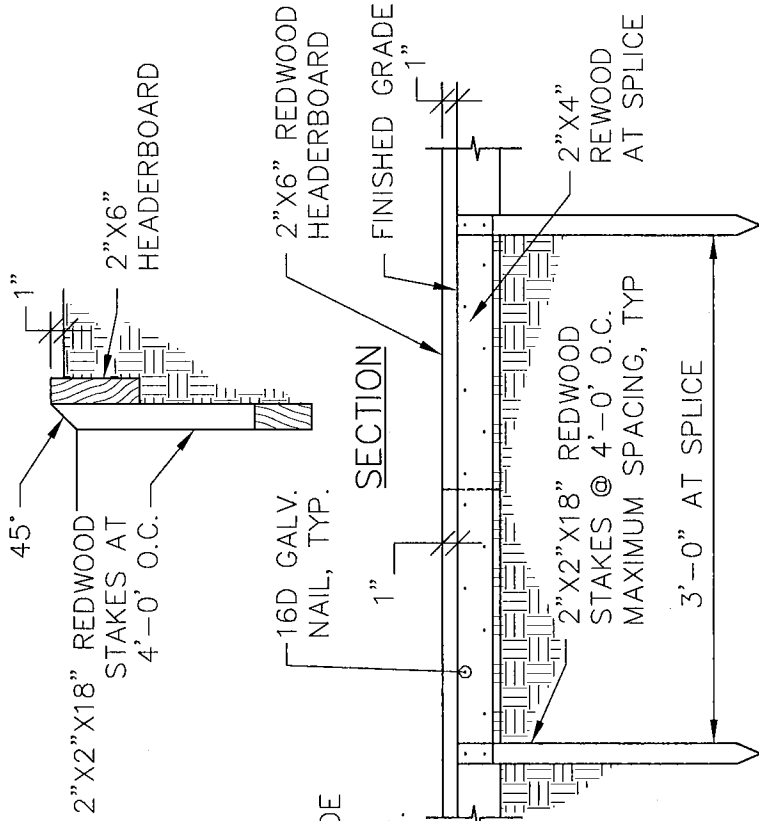


PLAN VIEW



ELEVATION VIEW

1/4" TO 3/8" X 4" BENDERBOARD



SPLICE DETAIL

2" X 6" HEADERBOARD

**NOTES:**

1. INSTALL ALL STAKES AND SPLICES ON PLANTING SIDE OF HEADERBOARD.
2. ALL NAILS SHALL BE GALVANIZED.
3. ALL REDWOOD SHALL BE ROUGH CONSTRUCTION COMMON GRADE IN ACCORDANCE TO CALIFORNIA REDWOOD ASSOCIATION GRADING RULES. DRIVE STAKES TO RESISTANCE AND CUT TOP AT 45 DEGREE ANGLE.

DATE:	NOT TO SCALE
01/18/2007	
REVISION BY	APPROVED
	DATE

**CITY OF ELK GROVE - PUBLIC WORKS**

---

**REDWOOD HEADERBOARD**

APPROVED BY: \_\_\_\_\_

CITY ENGINEER

---

DRAWING NUMBER

**L - 27**

